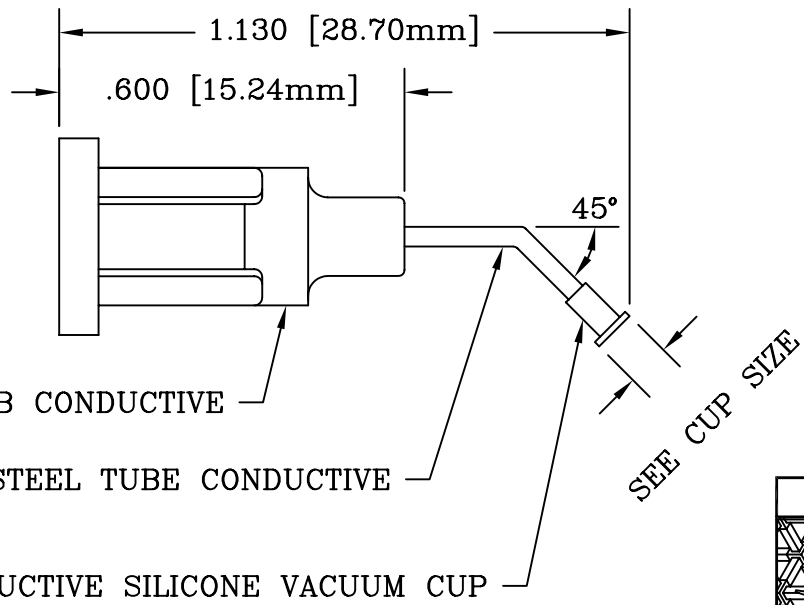
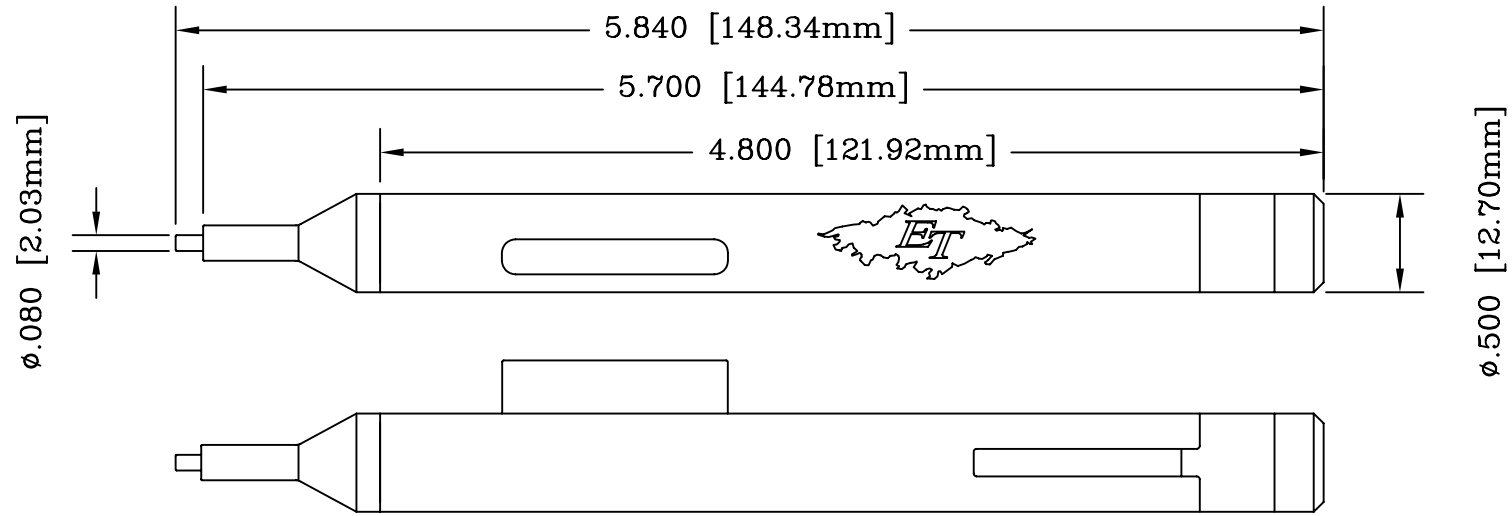
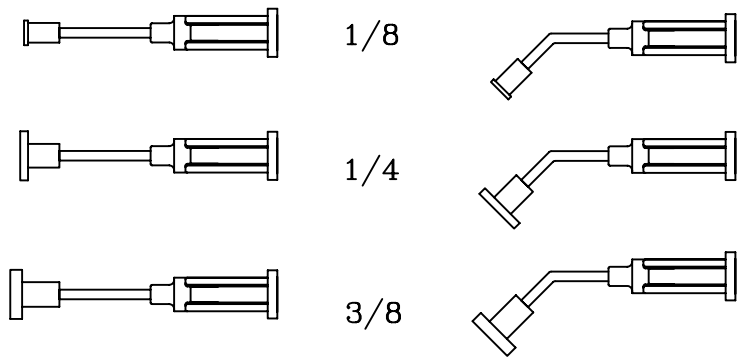


REV	DESCRIPTION	DATE	BY
A	NEW DRAWING	11/14/06	H.N.

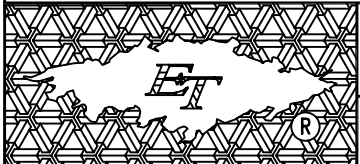
F7887



CUPS SIZE INCLUDED



ALL DIMENSIONS ARE IN INCHES UNLESS OTHERWISE SPECIFIED



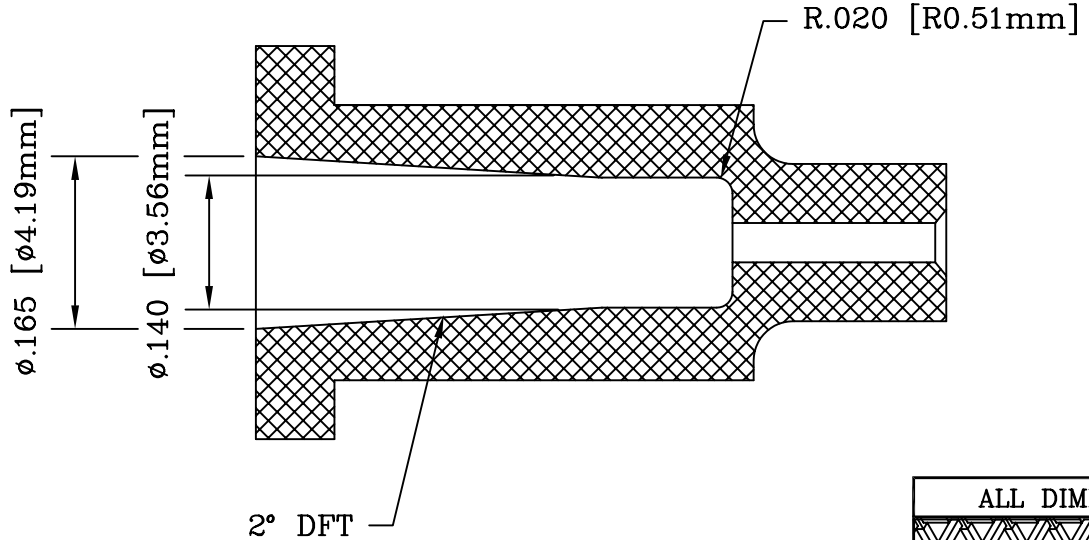
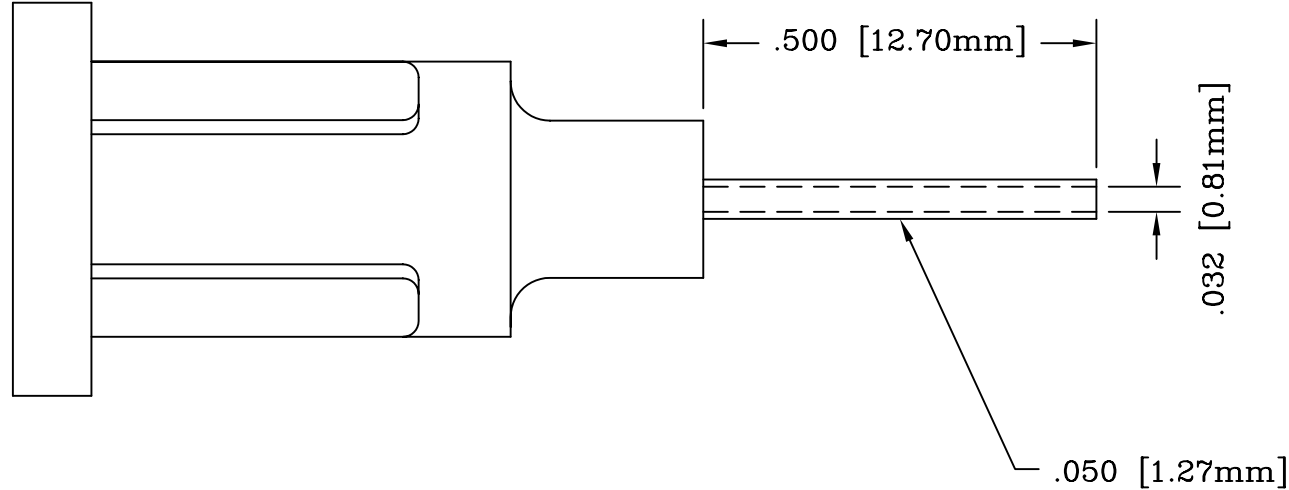
Emulation Technology, Inc.
 — VLSI and SMT ADAPTERS and ACCESSORIES —
 2344 Walsh Avenue, Bldg.F Santa Clara, Ca 95051
 TEL:(408)982-0660 FAX:(408)982-0664

SHEET: 1 OF 2	DATE: 11/14/06	REVISION: A	ASSEMBLY DRAWING
CHECKED: Perry Munroe	DRAWN: Huy Nguyen	ITEM: P/N-102	
Scale 1:1	DO NOT SCALE DRAWING	DESCRIPTION: P/N-102	

REV	DESCRIPTION	DATE	BY
A	NEW DRAWING	11/14/06	H.N.

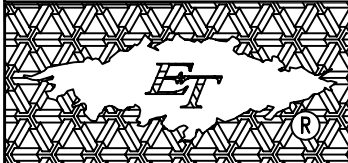
F7887

18 GUAGE PROBE



LUER SLIP FITTING

ALL DIMENSIONS ARE IN INCHES UNLESS OTHERWISE SPECIFIED



Emulation Technology, Inc.
 — VLSI and SMT ADAPTERS and ACCESSORIES —
 2344 Walsh Avenue, Bldg.F Santa Clara, Ca 95051
 TEL:(408)982-0660 FAX:(408)982-0664

SHEET: 2 OF 2	DATE: 11/14/06	REVISION: A	ASSEMBLY DRAWING
CHECKED: Perry Munroe	DRAWN: Huy Nguyen	ITEM: P/N-102	
Scale 1:1	DO NOT SCALE DRAWING	DESCRIPTION: P/N-102	