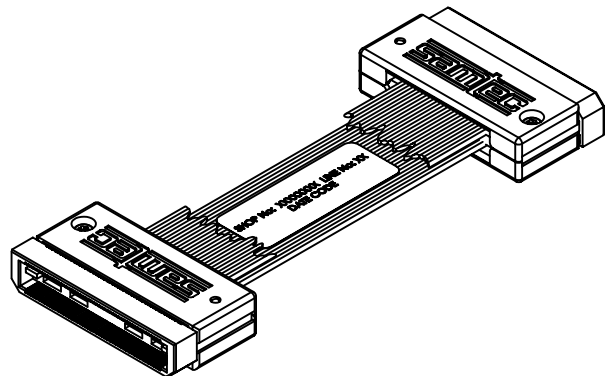
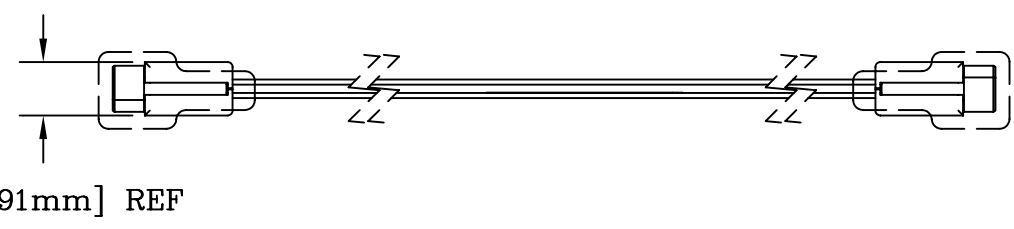
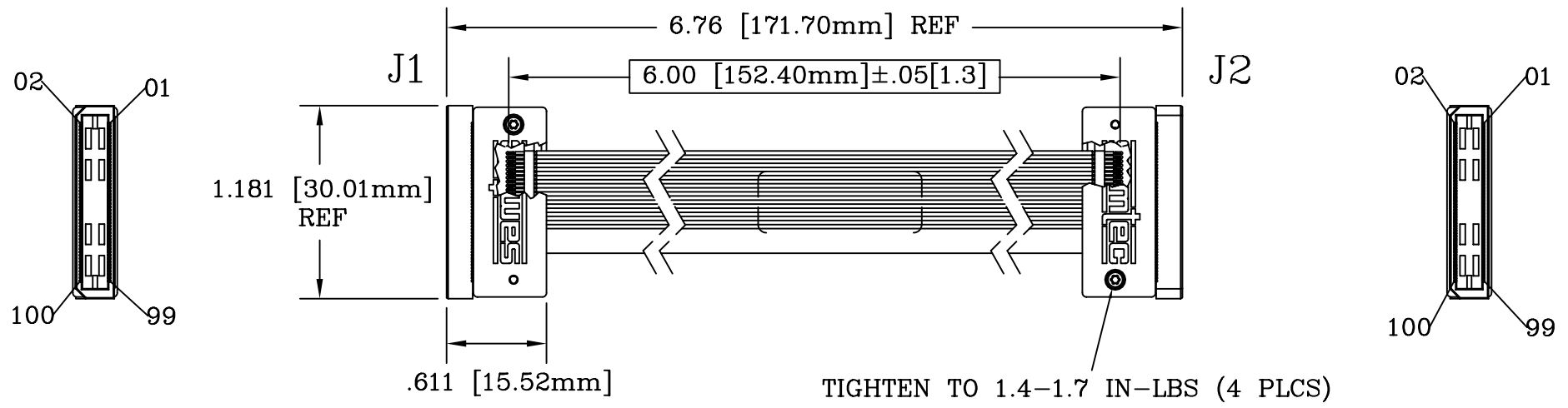


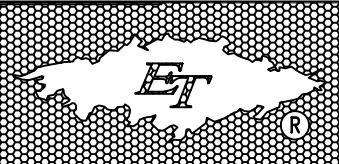
REV	DESCRIPTION	DATE	BY
A	NEW DRAWING	10/15/04	H.N.

F7369



UNLESS OTHERWISE SPECIFIED:  
 DIMENSIONS ARE IN INCHES  
 (ALTERNATE) DIMENSIONS ARE IN mm  
 TOLERANCES:  
 ANGLES: ±  
 FRACTIONS: ±1/64  
 DECIMALS:  
 .XX ±.010  
 .XXX ±.005  
 .XXXX ±.0005

ALL DIMENSIONS ARE IN INCHES UNLESS OTHERWISE SPECIFIED



**Emulation Technology, Inc.**  
 — VLSI and SMT ADAPTERS and ACCESSORIES —  
 2344 Walsh Avenue, Bldg.F Santa Clara, Ca 95051  
 TEL:(408)982-0660 FAX:(408)982-0664

SHEET: 1 OF 1	DATE: 10/15/04	REVISION: A	<b>ASSEMBLY DRAWING</b>
CHECKED: Perry Munroe	DRAWN: Huy Nguyen	ITEM: SAM100CABLEMM6	
Scale N/A DO NOT SCALE DRAWING			DESCRIPTION: SAM-100-CABLE-MM-6