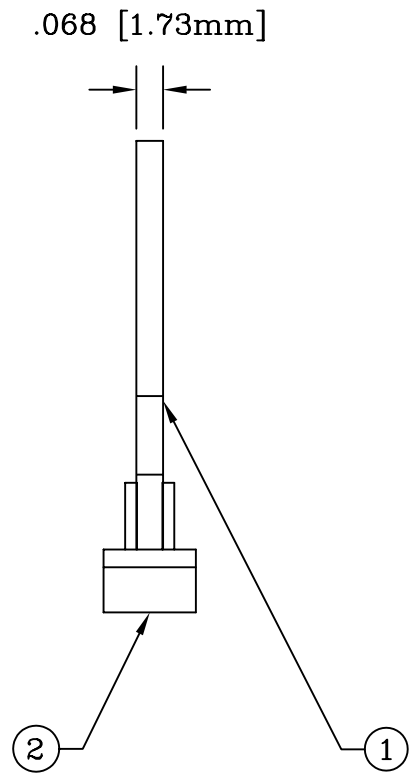
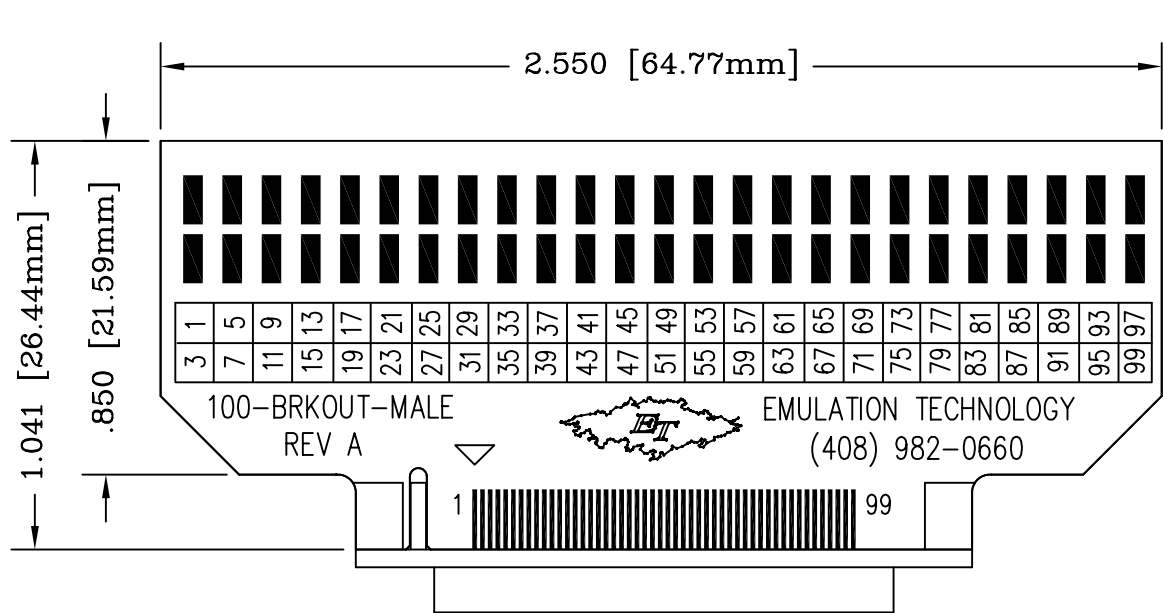


REV	DESCRIPTION	DATE	BY
A	NEW DRAWING	06/30/04	H.N.

F7285



ALL DIMENSIONS ARE IN INCHES UNLESS OTHERWISE SPECIFIED

Emulation Technology, Inc.
 — VLSI and SMT ADAPTERS and ACCESSORIES —

2344 Walsh Avenue, Bldg.F Santa Clara, Ca 95051
 TEL:(408)982-0660 FAX:(408)982-0664

SHEET: 1 OF 1	DATE: 06/30/04	REVISION: A	ASSEMBLY DRAWING
CHECKED: Perry Munroe	DRAWN: Huy Nguyen	ITEM: SAM-100-SMTPADS	DESCRIPTION: SAM-100-SMTPADS
Scale 2:1	DO NOT SCALE DRAWING		

NO.	ITEM	DESCRIPTION	QTY.
1	100-BRKOUT-MALE	BASE BOARD	1
2	CON-100-5MAL-SM	MOUNT ON THE EDGE OF # 1	1